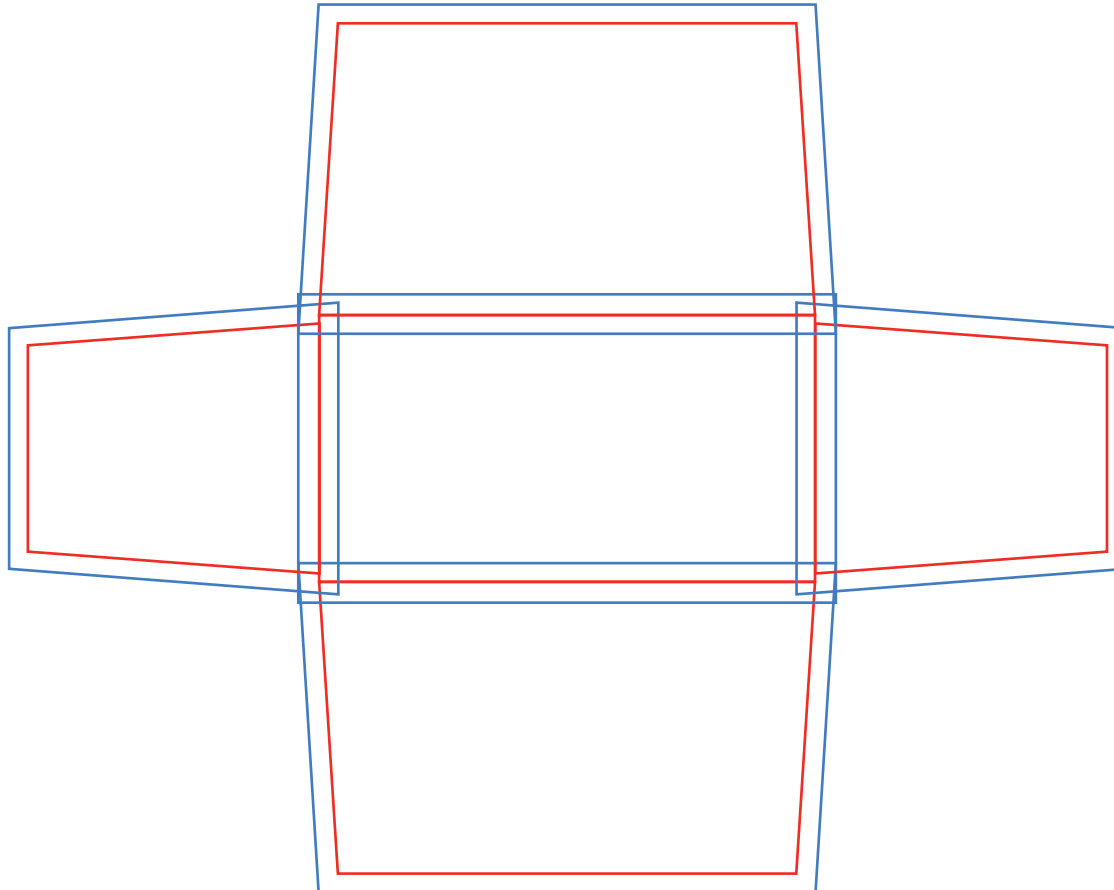


4ft Stretch Table Cover



— Blue line = Background

— Red line = Text area

- - - Gray line = Size

Any Pantone colors?

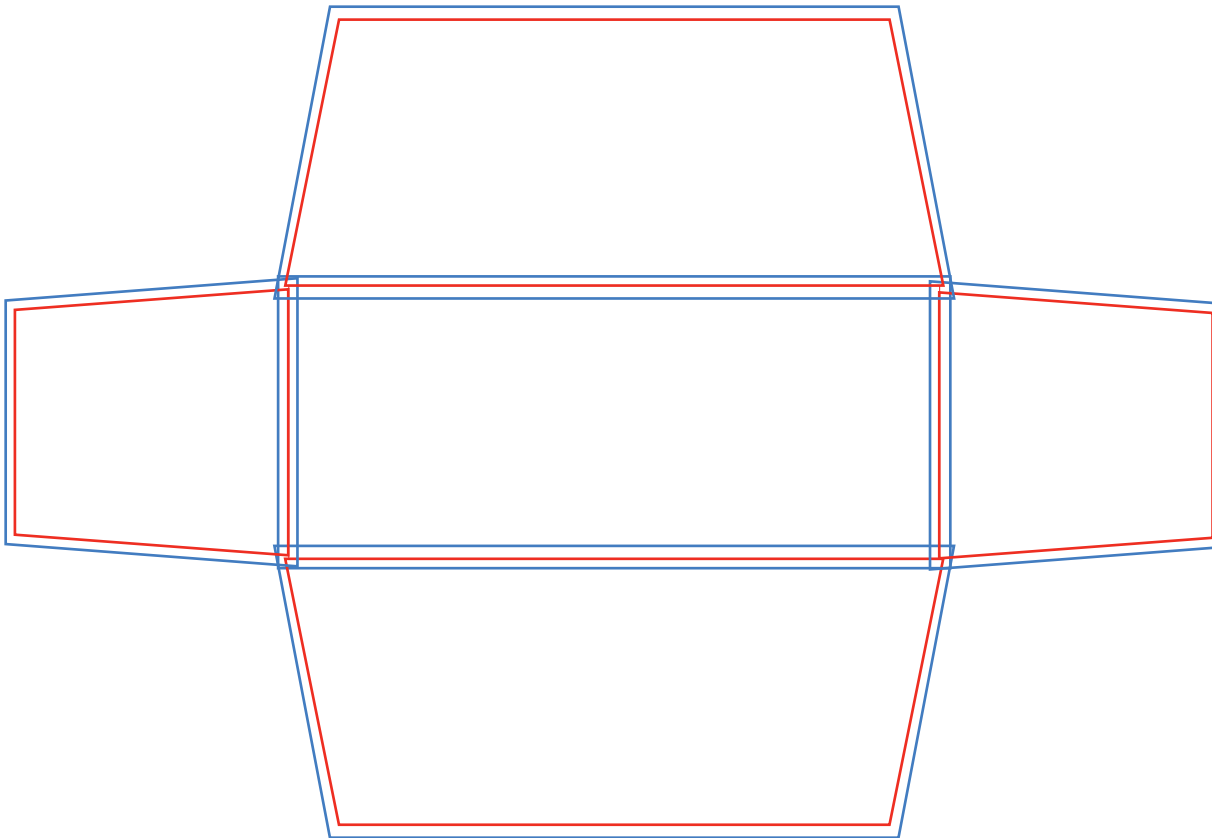
Have you...?

- Used CMYK colors?
- Vectorized your text?
- Used good quality images?
Change the size of the your artwork to the real-life size, then scale to 100%. If the image is still clear, you're good to go :)
... or just use vector file.
- Embedded your images?
- Saved your file as .pdf/.ai?
(preferred)



6ft Stretch Table Cover

- Blue line = Background
- Red line = Text area
- - - Gray line = Size



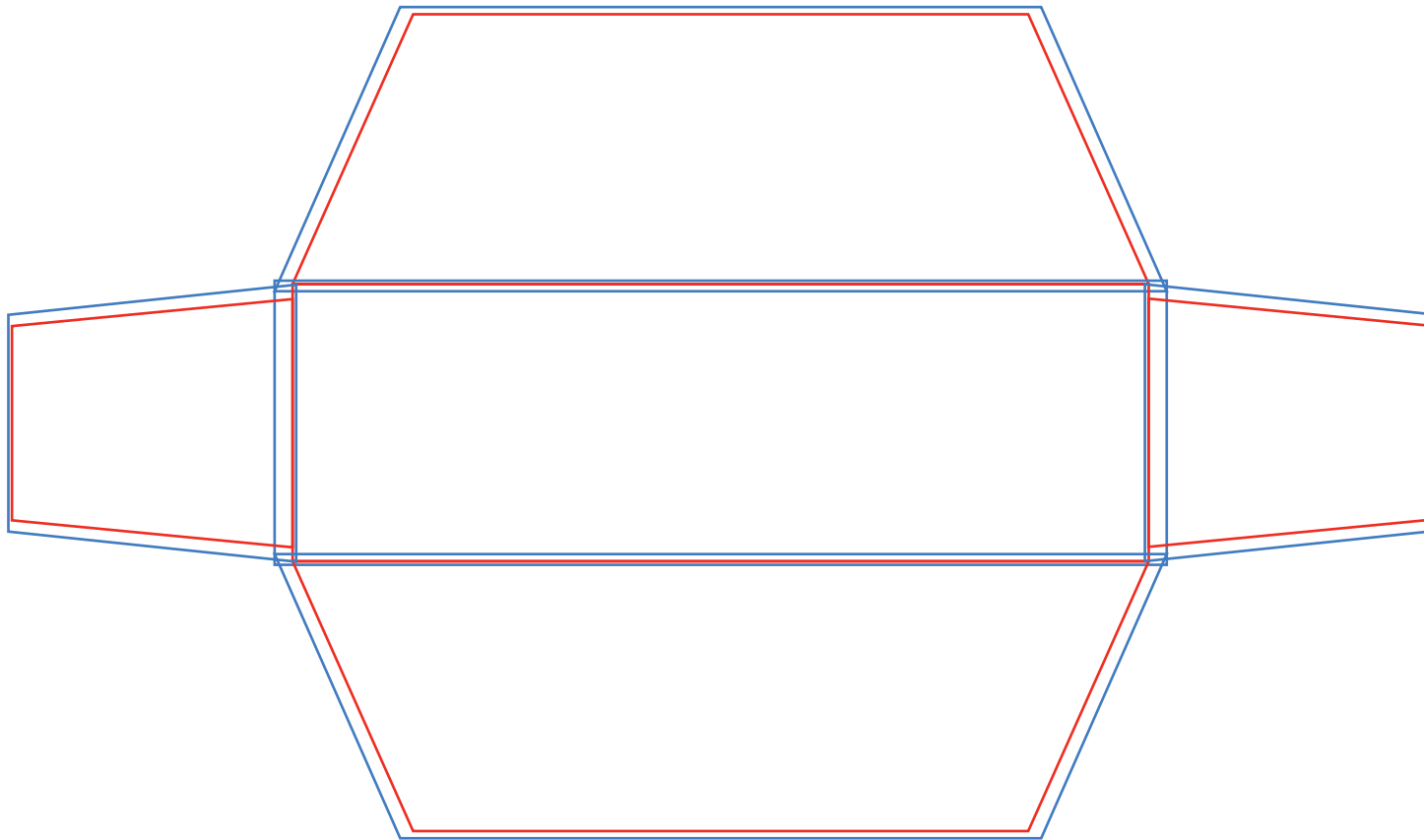
Any Pantone colors?

Have you...?

- Used CMYK colors?
- Vectorized your text?
- Used good quality images?
Change the size of the your artwork to the real-life size, then scale to 100%. If the image is still clear, you're good to go :)
... or just use vector file.
- Embedded your images?
- Saved your file as .pdf/.ai?
(preferred)



8ft Stretch Table Cover



— Blue line = Background

— Red line = Text area

- - - Gray line = Size

Any Pantone colors?

Have you...?

- Used CMYK colors?
- Vectorized your text?
- Used good quality images?
Change the size of the your artwork to the real-life size, then scale to 100%. If the image is still clear, you're good to go :)
... or just use vector file.
- Embedded your images?
- Saved your file as .pdf/.ai?
(preferred)

